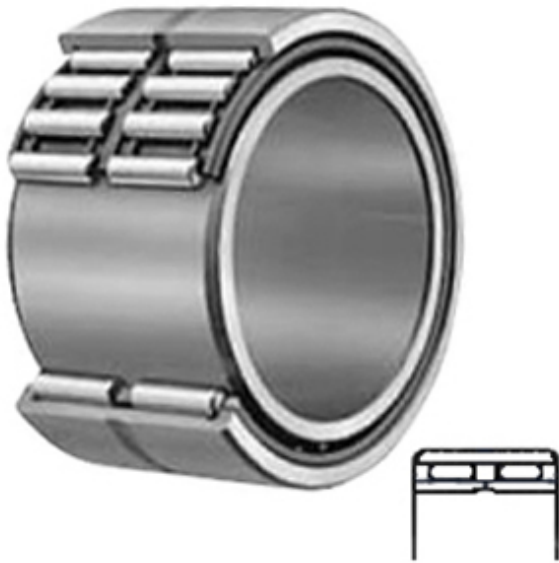




BEARING MFG. CORP.



NAO-40 X 55 X 34 Bearing 2D drawings and 3D CAD models

1.575 Inch | 40 Millimeter x 2.165 Inch | 55
 Millimeter x 1.339 Inch | 34 Millimeter
CONSOLIDATED BEARING NAO-40 X 55 X 34
 Needle Non Thrust Roller Bearings

Bearing No. NAO-40 X 55 X 34

Category	Needle Non Thrust Roller Bearings
Inventory	0.0
Manufacturer Name	CONSOLIDATED BEARING
Minimum Buy Quantity	N/A
Weight	0.257
EAN	0644075079822
Product Group	B04144
Rolling Element	Needle Roller Bearing
Component	Complete with Outer and Inner Ring
Enclosure	Open
Self Aligning	No
Retainer	Yes
Number of Rows of Rollers	Double Row
Separable	Inner/Outer Ring - Both Sides
Closed End	No
Inch - Metric	Metric
Relubricatable	Yes
Thrust Bearing	No
Long Description	40MM Bore; 55MM Outside Diameter; 34MM Width; Needle Roller Bearing; Complete with



BEARING MFG.CORP.

	Outer and Inner Ring; Open Enclosure; No Self Aligning; Retainer; Double Row of Rollers; Inner/Outer Ring - Both Side
Other Features	Plain Inner Ring Plain Outer Ring Oil Hole in Outer Ring
Category	Needle Non Thrust Roller Bearing
UNSPSC	31171512
Harmonized Tariff Code	8482.40.00.00
Noun	Bearing
Keyword String	Needle
Manufacturer URL	http://www.consbrgs.com
Manufacturer Item Number	NAO-40 X 55 X 34
Weight / LBS	0.57
D	2.165 Inch 55 Millimeter
B	1.339 Inch 34 Millimeter
d	1.575 Inch 40 Millimeter