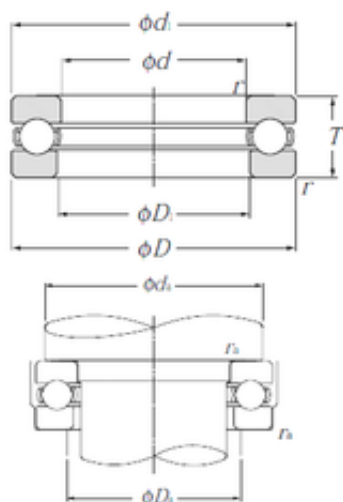




BEARING MFG. CORP.



NTN 51203 thrust ball bearings

Bearing No. 51203

Size	17x35x12 mm
Bore Diameter	17 mm
Outer Diameter	35 mm
Width	12 mm
d	17 mm
D	35 mm
T	12 mm
d1	35 mm
r min.	0,6 mm
D1	19 mm
da min.	28 mm
Da max.	24 mm
ra max.	0,6 mm
Weight	0,054 Kg
Basic dynamic load rating (C)	17,2 kN
Basic static load rating (C0)	27,3 kN
(Grease) Lubrication Speed	4 800 r/min
Category	Thrust Ball Bearing
Inventory	6.0
Manufacturer Name	NTN
Minimum Buy Quantity	N/A
Weight / Kilogram	0.05
EAN	4547359306545
Product Group	B00308
Rolling Element	Ball Bearing
Thrust Bearing	Yes

51203 Bearing 2D drawings and 3D CAD models



BEARING MFG. CORP.

Single or Double Direction	Single Direction
Banded	No
Cage Material	Steel
Precision Class	ABEC 1 ISO P0
Component Description	Roller Assembly Plus Raceways
Other Features	Single Row With Flat Seat
Long Description	17MM Bore 1; 19MM Bore 2; 35MM Outside Diameter; 12MM Height; Ball Bearing; Single Direction; Not Banded; Steel Cage; ABEC 1 ISO P0 Precision
Inch - Metric	Metric
Category	Thrust Ball Bearings
UNSPSC	31171552
Harmonized Tariff Code	8482.10.50.08
Noun	Bearing
Keyword String	Ball Thrust
Manufacturer URL	http://www.ntnamerica.com
Manufacturer Item Number	51203
Weight / LBS	0.11905
Outside Diameter	1.378 Inch 35 Millimeter
Height	0.472 Inch 12 Millimeter
Bore 2	0.748 Inch 19 Millimeter
Bore 1	0.669 Inch 17 Millimeter
Overall Height with Aligning Washer	0 Inch 0 Millimeter
bore diameter:	17 mm
dynamic load capacity:	17200 N
outside diameter:	35 mm
operating temperature range:	-40 to 120 ° C
overall width:	12 mm



BEARING MFG.CORP.

maximum rpm:	6800 rpm
thrust bearing type:	Single-Direction
bearing material:	High Carbon Chrome Steel
outside diameter design:	Straight
cage material:	Resin
separable or banded:	Separable
fillet radius:	0.6 mm
precision rating:	ISO Class 0
series:	512
static load capacity:	27300 N
manufacturer product page:	Click here