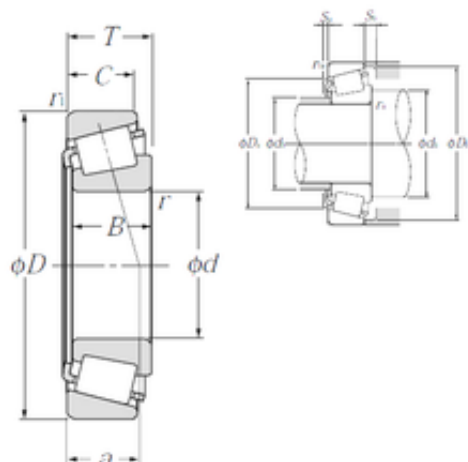




BEARING MFG. CORP.

100 mm x 150 mm x 39 mm NTN 33020U tapered roller bearings



Bearing No. 33020U

Size	100x150x39 mm
Bore Diameter	100 mm
Outer Diameter	150 mm
Width	39 mm
d	100 mm
D	150 mm
T	39 mm
B	39 mm
C	32,5 mm
ra1 max.	1,5 mm
a	29,5 mm
r min.	2 mm
r1 min.	1,5 mm
da min.	110 mm
Da min	135 mm
Da max.	141,5 mm
db max.	108 mm
Db min.	143 mm
ra max.	2 mm
Sa	7 mm
Sb	6,5 mm
Weight	2,37 Kg
Basic dynamic load rating (C)	224 kN
Basic static load rating (C0)	390 kN
(Grease) Lubrication Speed	2 200 r/min

33020U Bearing 2D drawings and 3D CAD models



BEARING MFG. CORP.

(Oil) Lubrication Speed	3 000 r/min
Calculation factor (e)	0,29
Calculation factor (Y0)	1,15
d1	124.5 mm
rs min	2 mm
r1s min	1.5 mm
e	0.29
Y2	2.09
Y0	1.15
Mass	2.37 kg
ISO 355 reference	T2CE100
Dynamic load, C	224 kN
Rating life coefficient, A2	1
Static load, C0	390 kN
Fatigue limit load, Cu	44.5 kN
Nlim (oil)	3,000 rpm
Nlim (grease)	2,200 rpm
Min operating temperature, Tmin	-40 ° C
Max operating temperature, Tmax	120 ° C
Characteristic cage frequency, FTF	0.45 Hz
Characteristic rolling element frequency, BSF	10.07 Hz
Characteristic outer ring frequency, BPF0	12.65 Hz
Characteristic inner ring frequency, BRFI	15.35 Hz
da max	108 mm
db min	110 mm
Da max	141.5 mm
Db min	143 mm
Ca min	7 mm



BEARING MFG.CORP.

Cb min	6.5 mm
ra max	2 mm
r1a max	1.5 mm