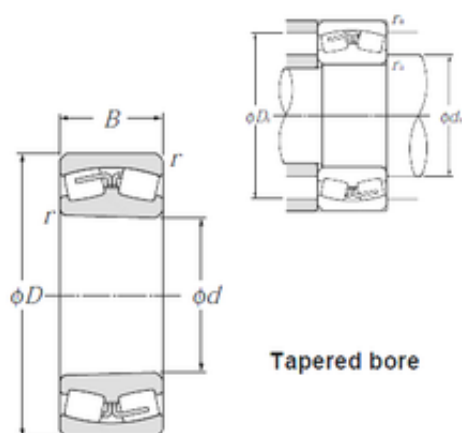




BEARING MFG. CORP.

280 mm x 580 mm x 175 mm NTN 22356BK
spherical roller bearings



Bearing No. 22356BK

22356BK Bearing 2D drawings and 3D CAD models

Size	280x580x175 mm
Bore Diameter	280 mm
Outer Diameter	580 mm
Width	175 mm
d	280 mm
D	580 mm
B	175 mm
C	175 mm
r min.	6 mm
da min.	308 mm
Da max.	552 mm
ra max.	5 mm
Weight	220 Kg
Basic dynamic load rating (C)	3 500 kN
Basic static load rating (C0)	5 350 kN
(Grease) Lubrication Speed	600 r/min
(Oil) Lubrication Speed	780 r/min
Calculation factor (e)	0,31
Calculation factor (Y0)	2,12
Calculation factor (Y1)	2,16
Category	Bearings
Inventory	0.0
Manufacturer Name	NTN
Minimum Buy Quantity	N/A
Weight / Kilogram	243



BEARING MFG.CORP.

Product Group	B04311
---------------	--------